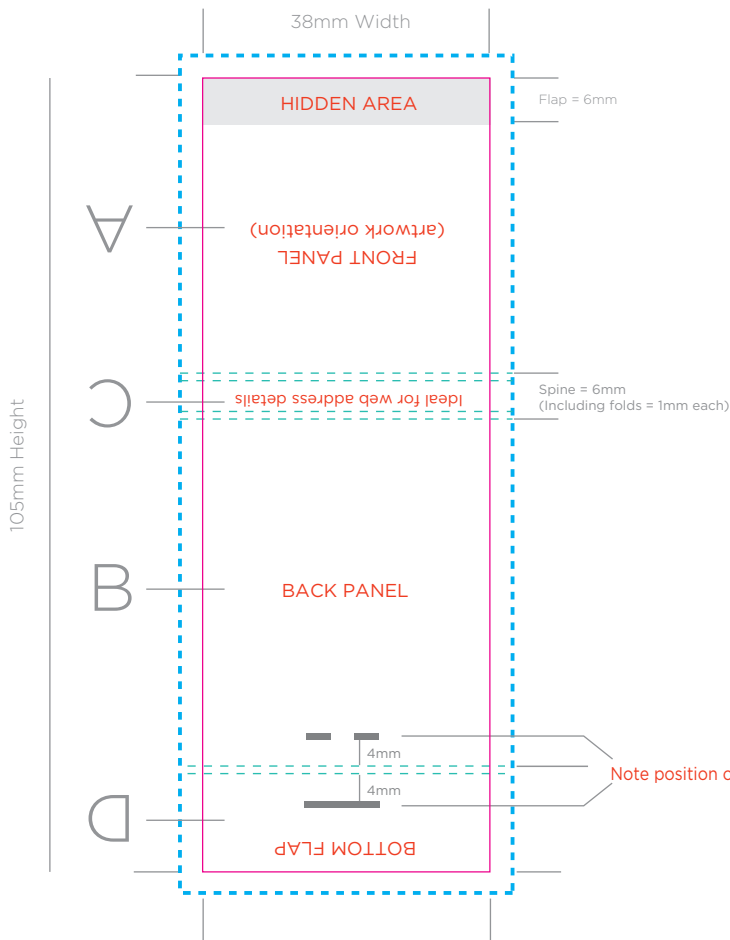


5 STICK SEED STICK

ARTWORK SPECIFICATIONS

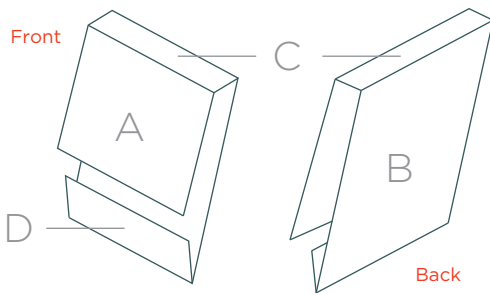
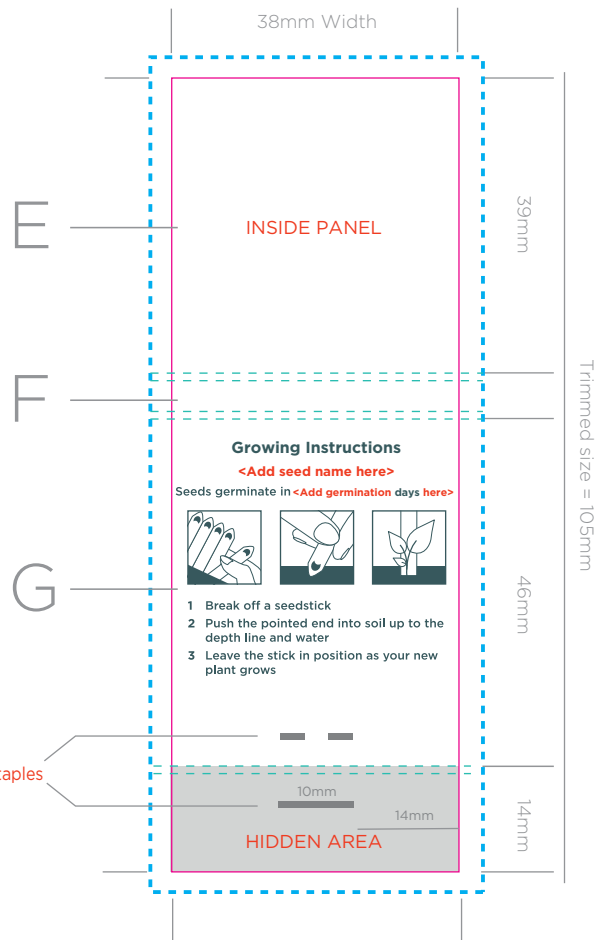
OUTSIDE COVER

4 colour print

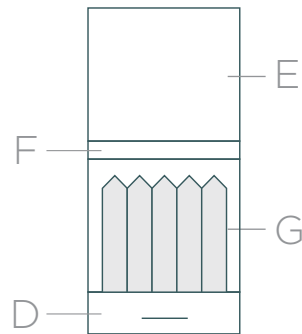


INSIDE COVER

4 colour print



PLEASE NOTE:
Please allow for the staples on the front flap and back of assembled pack in your design



ARTWORK SPECIFICATIONS / REQUIREMENTS

Art must be supplied in CMYK format or PMS colours specified, RGB is not acceptable

All fonts must be converted to outlines

Working file must be compatible with CS5 - Illustrator

3mm bleed is required beyond the trim lines

Files to be supplied in PDF, EPS or AI format only

A PDF proof will be emailed for confirmation of design for you to sign off prior to print production

No responsibility will be accepted for errors or changes once the artwork has been signed off

If you require a chemical proof (CTP) additional £60.00

Artwork setups will be incurred after the first art proof has been amended

KEY

- Staples
- Fold Lines
- Cut Line
- Bleed Line

PROJECT DETAILS

Client		Job Ref	
Job No		Quantity	
		Date	

PROJECT APPROVAL

Approved	Yes <input type="checkbox"/>	No <input type="checkbox"/>	Version		Name	
Signed			Date			