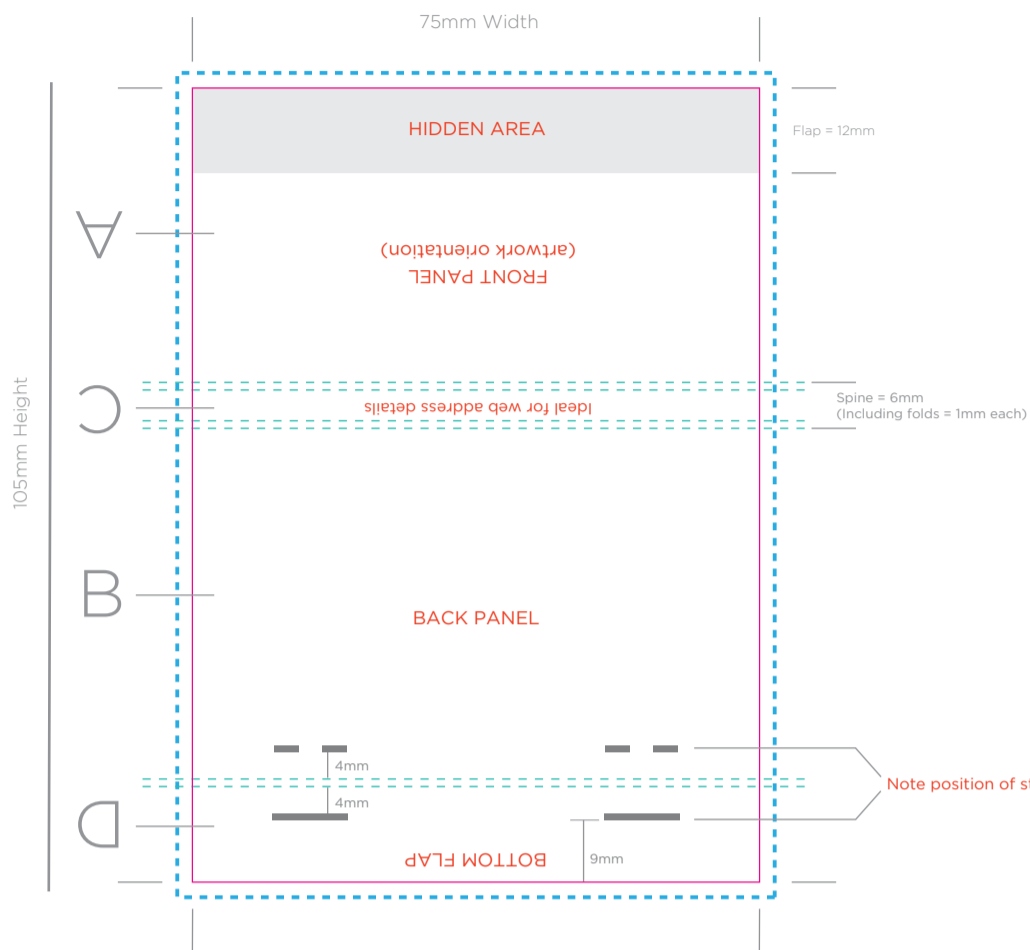


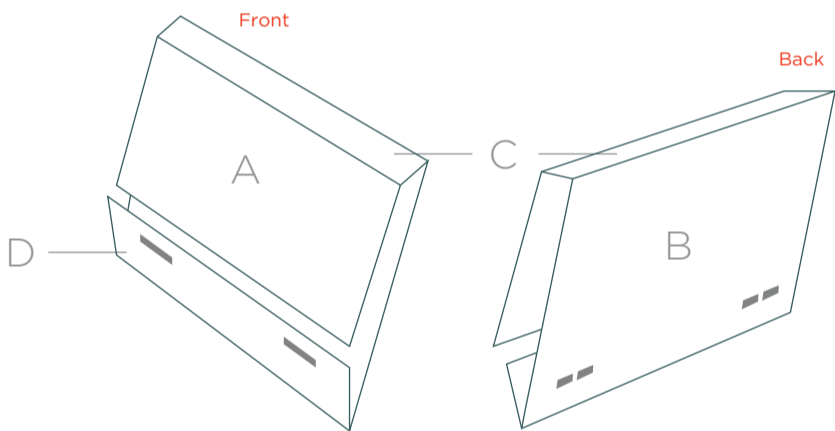
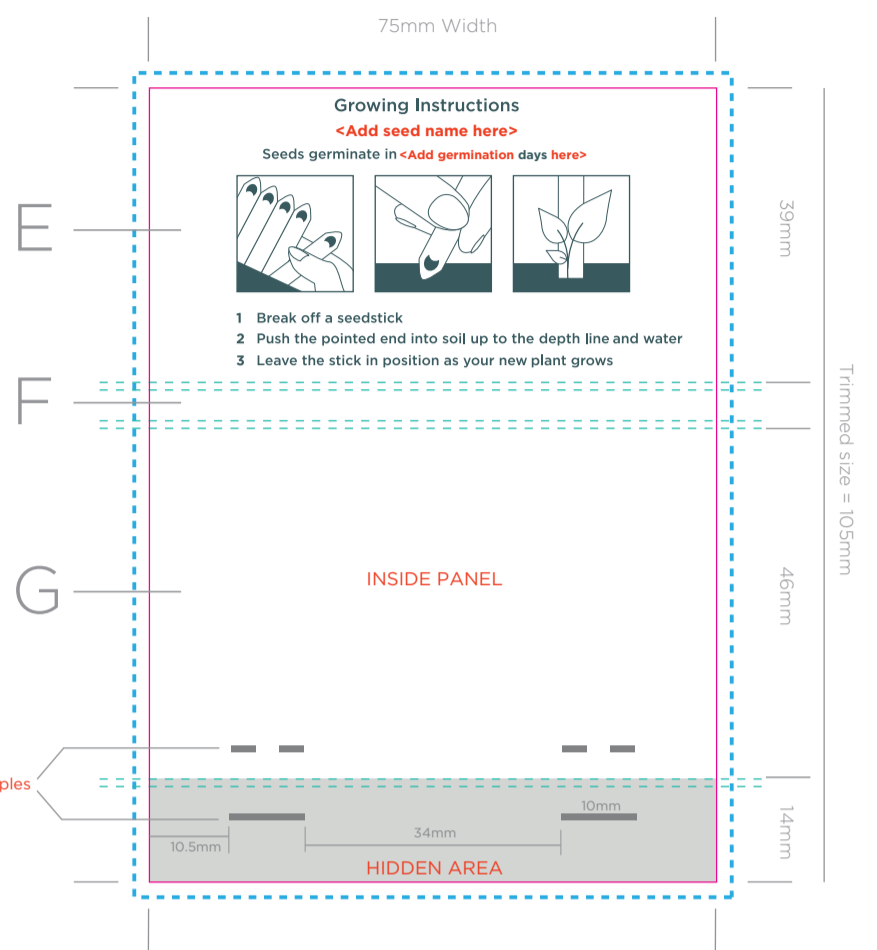
# 10 STICK SEED STICK

ARTWORK SPECIFICATIONS

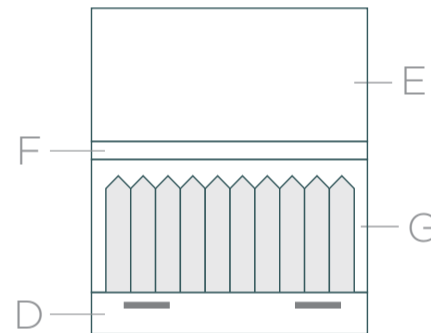
## OUTSIDE COVER 4 colour print



## INSIDE COVER 4 colour print



**PLEASE NOTE:**  
Please allow for the staples on the front flap and back of assembled pack in your design



## ARTWORK SPECIFICATIONS / REQUIREMENTS

- Art must be supplied in CMYK format or PMS colours specified, RGB is not acceptable
- All fonts must be converted to outlines
- Working file must be compatible with CS5 - Illustrator
- 3mm bleed is required beyond the trim lines
- Files to be supplied in PDF, EPS or AI format only
- A PDF proof will be emailed for confirmation of design for you to sign off prior to print production
- No responsibility will be accepted for errors or changes once the artwork has been signed off
- If you require a chemical proof (CTP) additional £60.00
- Artwork setups will be incurred after the first art proof has been amended

## KEY

- Staples
- Fold Lines
- Cut Line
- Bleed Line

## PROJECT DETAILS

Client  Job Ref

Job No  Quantity  Date

## PROJECT APPROVAL

Approved Yes  No  Version  Name

Signed  Date